

CHAPTER

26

FIRE PROTECTION

CESSNA®
MODEL 208
ILLUSTRATED PARTS CATALOG

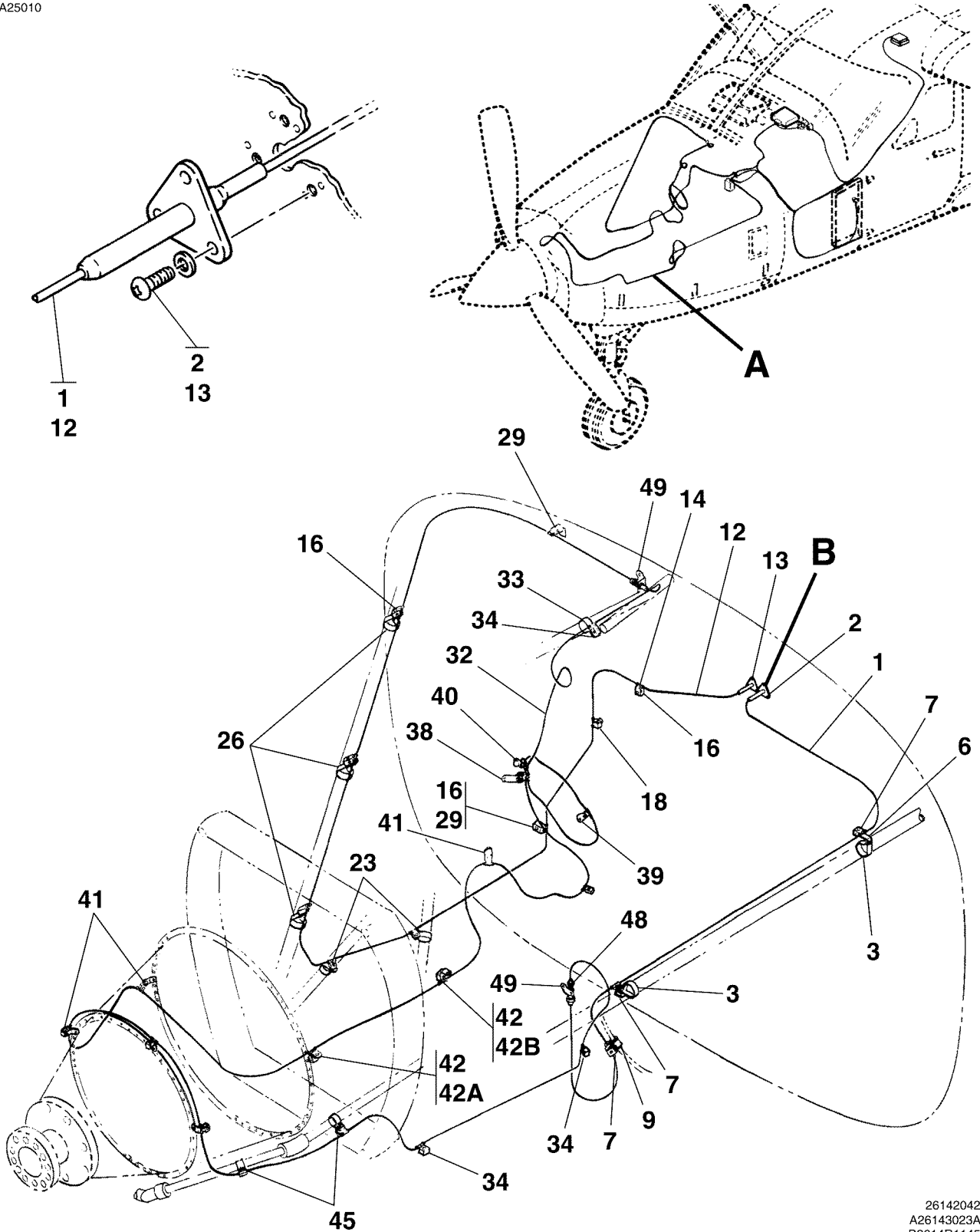
<u>CHAPTER SECTION SUBJECT</u>		<u>NUMBER OF PAGES</u>	<u>DATE</u>
26 - TITLE			
26 - LIST OF EFFECTIVE PAGES			
26 - RECORD OF TEMPORARY REVISIONS			
26 - TABLE OF CONTENTS			
26-10-00	Figure 01	4	Apr 1/2016
26-10-00	Figure 02	4	Apr 1/2016
26-20-01	Figure 01	2	Dec 1/2000
26-20-01	Figure 02	2	Sep 6/2004
26-20-01	Figure 03	2	Jun 1/2010

CESSNA®
MODEL 208
 ILLUSTRATED PARTS CATALOG

<u>SUBJECT</u>	<u>CHAPTER SECTION SUBJECT</u>	<u>FIGURE</u>	<u>EFFECTIVITY</u>	
			<u>START</u>	<u>END</u>
FIRE DETECTION SYSTEM	26-10-00	01	0001	& ON
			B0001	B4999
FIRE DETECTION SYSTEM	26-10-00	02	B5000	& ON
FIRE EXTINGUISHER INSTALLATION	26-20-01	01		
FIRE EXTINGUISHER INSTALLATION	26-20-01	02		
FIRE EXTINGUISHER INSTALLATION	26-20-01	03	B2096	& ON

CESSNA®
MODEL 208
 ILLUSTRATED PARTS CATALOG

A25010



FIRE DETECTION SYSTEM
 FIGURE 01 (SHEET 1)

26142042
 A26143023A
 B2614R1145

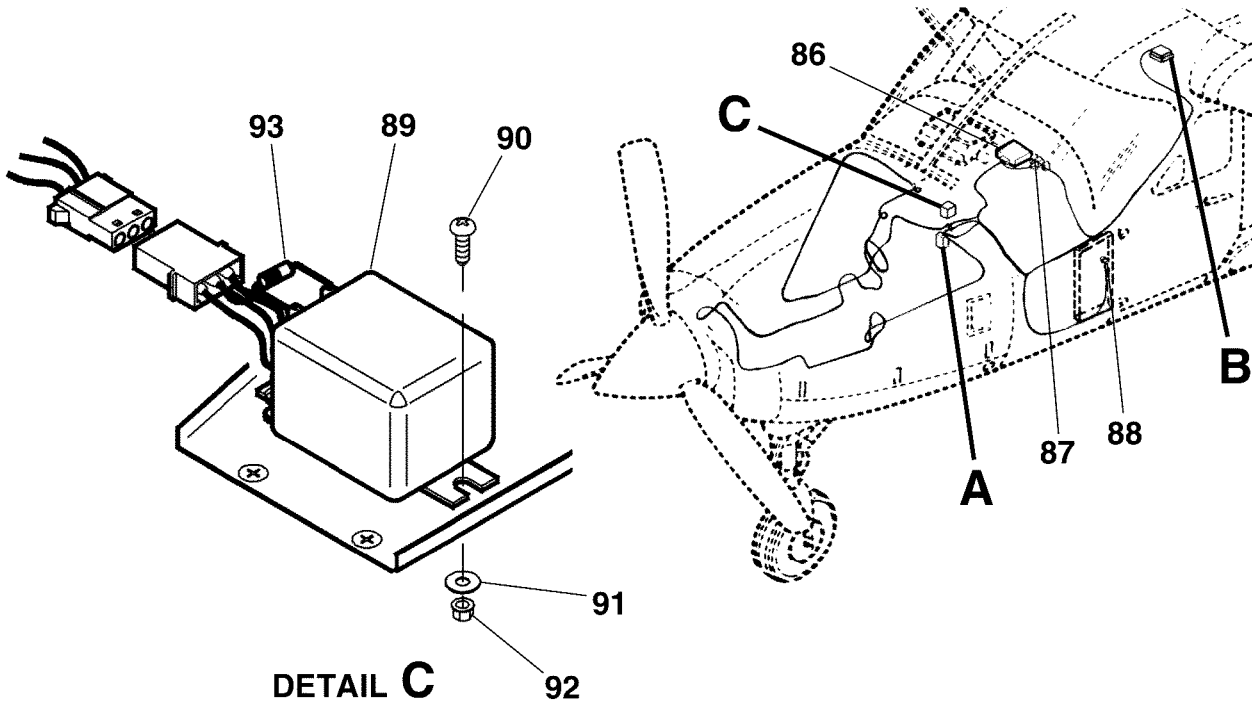
CESSNA®
MODEL 208
ILLUSTRATED PARTS CATALOG

FIG ITEM	PART NUMBER	NOMENCLATURE	UNITS	
			PER ASSY	
01		FIRE DETECTION SYSTEM	0001	& ON RF
-			B0001	B4999
1	644-04303416	. CABLE-FIRE DETECTOR V58880		01
		ATTACHING PARTS		
2	MS35206-227	. SCREW		03
3	MS21919DG20	. CLAMP		02
- 4	AN520-10R7	. SCREW		02
- 5	MS20364-1032C	. NUT		02
6	2650026-5	. BRACKET		01
7	22827-3	. CLAMP V58880		03
- 8	23541	. INSULATOR V58880		03
		—*—		
9	MS21919WDG5	. CLAMP		01
- 10	MS35207-260	. SCREW		01
- 11	MS20364-1032C	. NUT		01
12	644-13403485	. CABLE-FIRE DETECTOR V58880		01
		ATTACHING PARTS		
13	MS35206-227	. SCREW		03
14	MS35207-260	. SCREW		01
- 15	MS20364-1032C	. NUT		01
16	22827-3	. CLAMP V58880		09
- 17	23541	. INSULATOR V58880		09
18	2650026-3	. BRACKET		01
- 19	22827-3	. CLAMP V58880		01
- 20	23541	. INSULATOR V58880		01
- 21	MS35207-260	. SCREW		01
- 22	MS20364-1032C	. NUT		01
23	MS21919DG17	. CLAMP		02
- 24	MS35207-262	. SCREW		02
- 25	MS20364-1032	. NUT		02
26	MS21919DG16	. CLAMP		03
- 27	MS35207-260	. SCREW		03
- 28	MS20364-1032C	. NUT		03
29	2650026-5	. BRACKET		01
- 30	MS35207-260	. SCREW		01
- 31	MS20364-1032C	. NUT		01
		—*—		
32	244-18922	. CABLE-FIRE DETECTOR V58880		01
		ATTACHING PARTS		
33	MS21919DG16	. CLAMP		01
34	22827-3	. CLAMP V58880		16
		—*—		
- 35	23541	. INSULATOR V58880		16
- 36	MS35207-260	. SCREW		09
- 37	MS20364-1032C	. NUT		09
38	S2300-11	. BRACKET		01
39	S2300-12	. BRACKET		01
40	MS21919WDG4	. CLAMP		01
41	2650026-3	. BRACKET		05
42	2650026-2	. BRACKET	0001	0242
			B0001	B0455
42A	2650026-2	. BRACKET	0243	& ON
			B0456	& ON
42B	S2300-25	. BRACKET	0243	& ON
			B0456	& ON
		ATTACHING PARTS		
- 43	MS35207-262	. SCREW		02
- 44	MS20364-1032C	. NUT		02
45	MS21919DG12	. CLAMP		02
- 46	MS35207-262	. SCREW		02
- 47	MS20364-1032C	. NUT		02
48	22922	. NUT V58880		02
		—*—		
49	23693	. BRACKET V58880		02
		ATTACHING PARTS		
- 50	MS35206-242	. SCREW		02
		—*—		

- ITEM NOT ILLUSTRATED

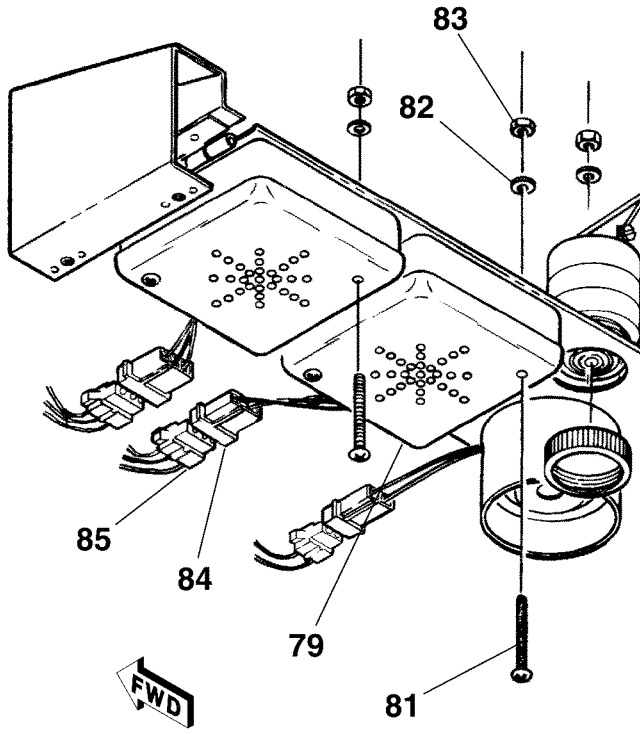
CESSNA®
MODEL 208
 ILLUSTRATED PARTS CATALOG

A25011

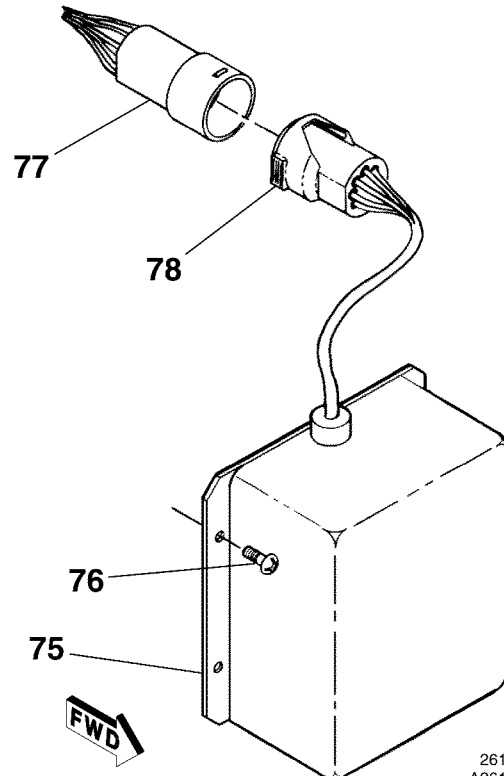


DETAIL C

BRITISH CERTIFICATION
 20800224 AND ON



DETAIL B



DETAIL A

FIRE DETECTION SYSTEM
 FIGURE 01 (SHEET 2)

26142042
 A26141108
 B26142040
 C2614T1107

CESSNA®
MODEL 208
 ILLUSTRATED PARTS CATALOG

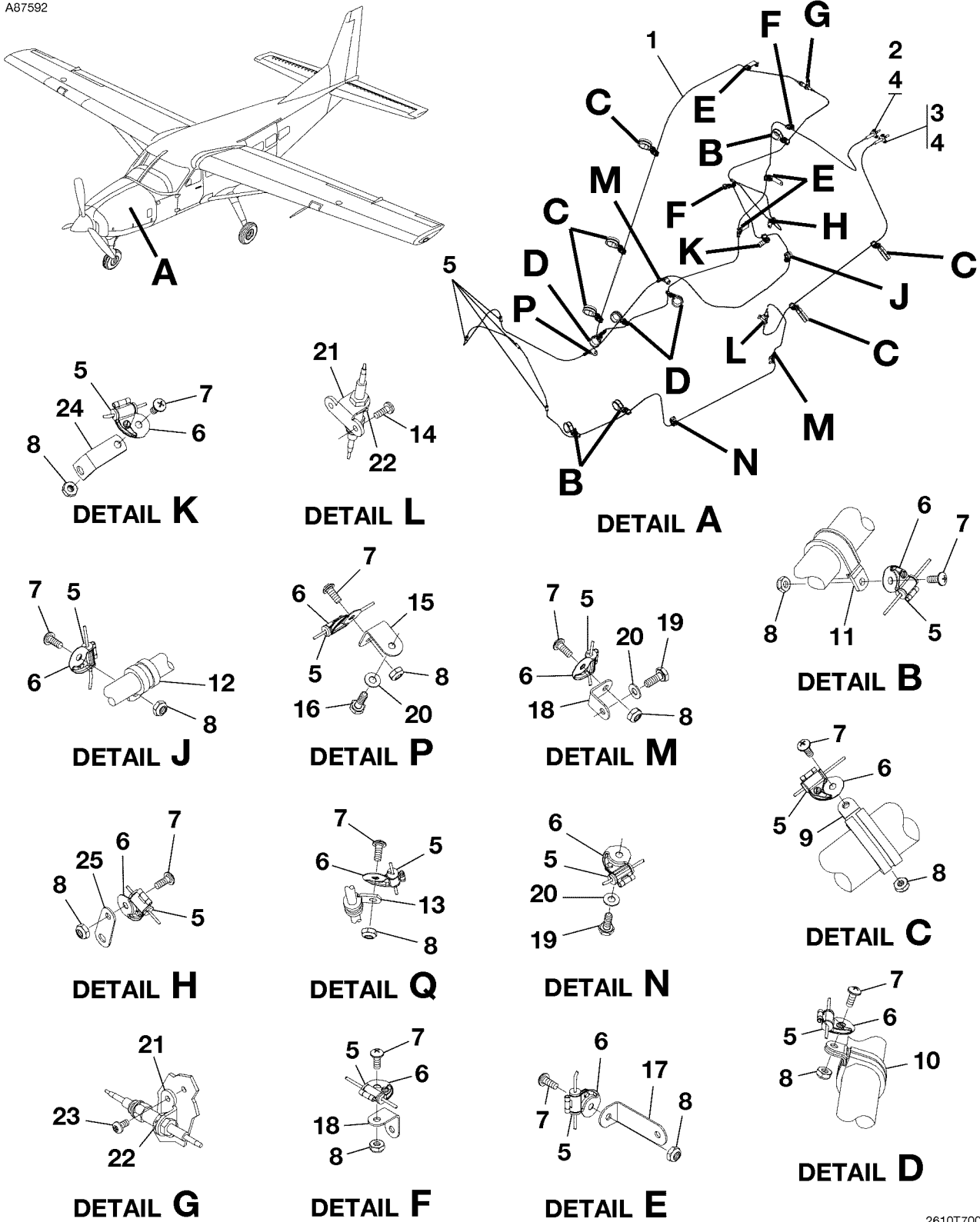
FIG ITEM	PART NUMBER	NOMENCLATURE	UNITS PER ASSY		
			1	2	3
01					
75	477-90008	. CONTROL BOX-FIRE DETECTOR UB002 V58880			01
		ATTACHING PARTS			
76	MS35206-226	. SCREW			04
		—*—			
77	S2373-1	. HOUSING-RECEPTACLE			01
78	S2373-2	. HOUSING-PLUG			01
79	2670019-3	. ALARM ASSY-FIRE DETECTOR FSO 2670019-5	0001	0131	NP
			B0001	B0091	
- 80	2670019-5	. ALARM ASSY-FIRE DETECTOR UB001	0132	& ON	01
			B0092	& ON	
		ATTACHING PARTS			
81	MS35206-236	. SCREW			02
82	NAS1149FN632P	. WASHER			02
83	MS35649-262	. NUT			02
		—*—			
84	S1638-4	. . HOUSING CAP			01
85	S1638-5	. HOUSING-PLUG			01
86		. ANNUNCIATOR PANEL REFER TO 33-10-00 FIGURE 02			RF
87	C20050R	. SWITCH-FIRE DETECTOR V15605			01
88		. CIRCUIT BREAKER REFER TO 24-50-01 FIGURE 02			RF
89	CLH45-30010	. RELAY-FIRE DETECTION REFER TO NOTE 1 V77342	0240	& ON	01 R
			B0365	& ON	
		ATTACHING PARTS			
90	NAS601-7	. SCREW	0240	& ON	02
91	NAS1149FN616P	. WASHER	0240	& ON	02
92	MS21042L06	. NUT	0240	& ON	02
		—*—			
93	RLR20C6802KP	. RESISTOR REFER TO NOTE 1	0240	& ON	01

NOTE 1—USED ON BRITISH CERTIFIED AIRPLANES

- ITEM NOT ILLUSTRATED

CESSNA®
MODEL 208
 ILLUSTRATED PARTS CATALOG

A87592



2610T7005
 2614T1473

FIRE DETECTION SYSTEM
 FIGURE 02 (SHEET 1)

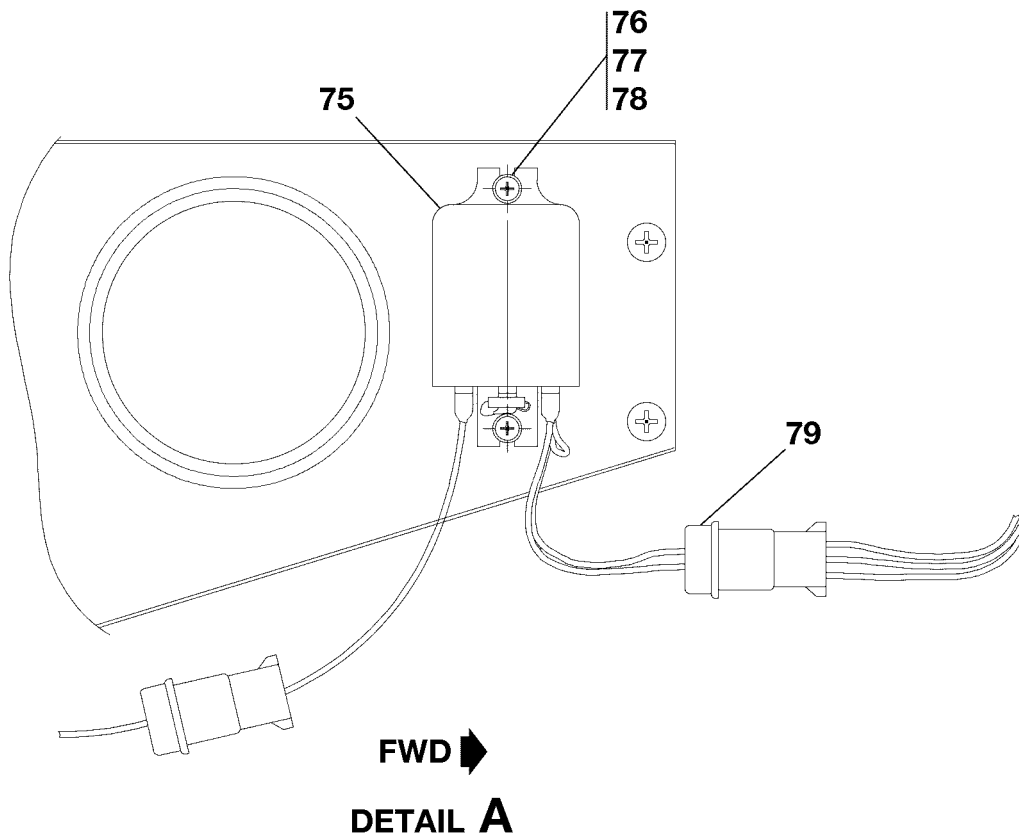
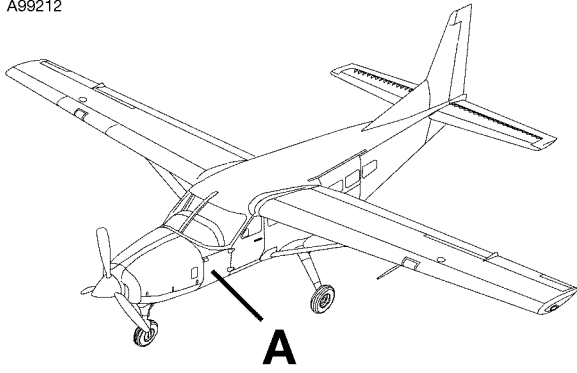
CESSNA®
MODEL 208
 ILLUSTRATED PARTS CATALOG

FIG ITEM	PART NUMBER	NOMENCLATURE	1 2 3 4 5 6 7							UNITS PER ASSY
02		FIRE DETECTION SYSTEM							B5000 & ON	RF
-										
1	244-20922	. FIRE DETECTION CABLE							V58880	01
2	644-13403485	. CABLE ASSY							V58880	01
3	644-03603416	. CABLE ASSY							V58880	01
		ATTACHING PARTS								
4	MS35206-227	. SCREW								06
		—*								
5	3106	. BUSHING							V25693	28
6	7C1-4	. CLAMP							V71286	23
7	MS35207-262	. SCREW								23
8	MS21083N3	. NUT								22
- 8A	NAS1022N3	. NUT-ALT FOR MS21083N3								22
9	MS21919WDG20	. CLAMP								05
10	MS21919WDG17	. CLAMP								03
11	MS21919WDG16	. CLAMP								03
12	MS21919WDG9	. CLAMP								01
13	MS21919WDG4	. CLAMP								01
14	MS35206-244	. SCREW								02
15	2650026-2	. BRACKET								01
16	AN3-5A	. BOLT								01
17	2650026-5	. BRACKET								03
18	2650026-3	. BRACKET								03
19	AN3-4A	. BOLT								03
20	NAS1149F0332P	. WASHER								04
21	23693	. BRACKET							V58880	02
22	22922	. NUT							V58880	02
23	MS35206-242	. SCREW								02
24	MS9593-134	. BRACKET							V81343	01
25	S2300-12	. BRACKET								01

- ITEM NOT ILLUSTRATED

CESSNA®
MODEL 208
ILLUSTRATED PARTS CATALOG

A99212



FIRE DETECTION SYSTEM
FIGURE 02 (SHEET 2)

2610T7005
2614T1473

CESSNA®
MODEL 208
 ILLUSTRATED PARTS CATALOG

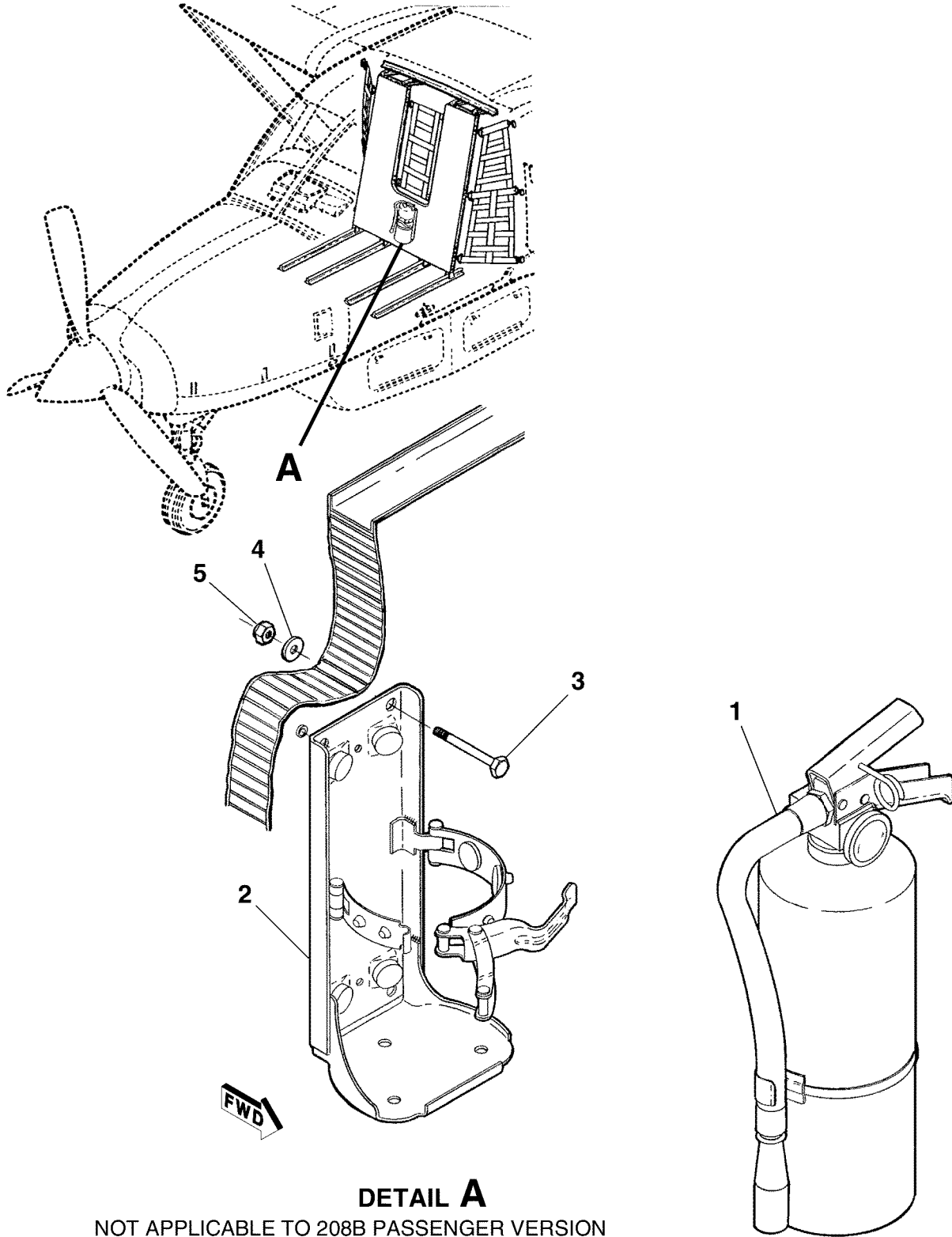
FIG ITEM	PART NUMBER	NOMENCLATURE							UNITS PER ASSY
		1	2	3	4	5	6	7	
02									
75	CLH45-30010	.	RELAY KC003						01
		.	ATTACHING PARTS						
76	NAS601-7	.	SCREW						02
77	NAS1149FN616P	.	WASHER						02
78	MS21042L06	.	NUT ALT FOR NAS1291-06						02
		.	—*—						
79	2677280-1	.	WBA-FIRE DETECTION RELAY-SMASSY REFER TO NOTE 1					B2138 & ON	01

NOTE 1—USED ON STANDARD AND EASA CERTIFIED AIRCRAFT

- ITEM NOT ILLUSTRATED

CESSNA®
MODEL 208
ILLUSTRATED PARTS CATALOG

A25014



DETAIL A

NOT APPLICABLE TO 208B PASSENGER VERSION
NOT APPLICABLE TO CARGOMASTER OR SUPERCARGOMASTER

FIRE EXTINGUISHER INSTALLATION
FIGURE 01 (SHEET 1)

26141192
A26142051

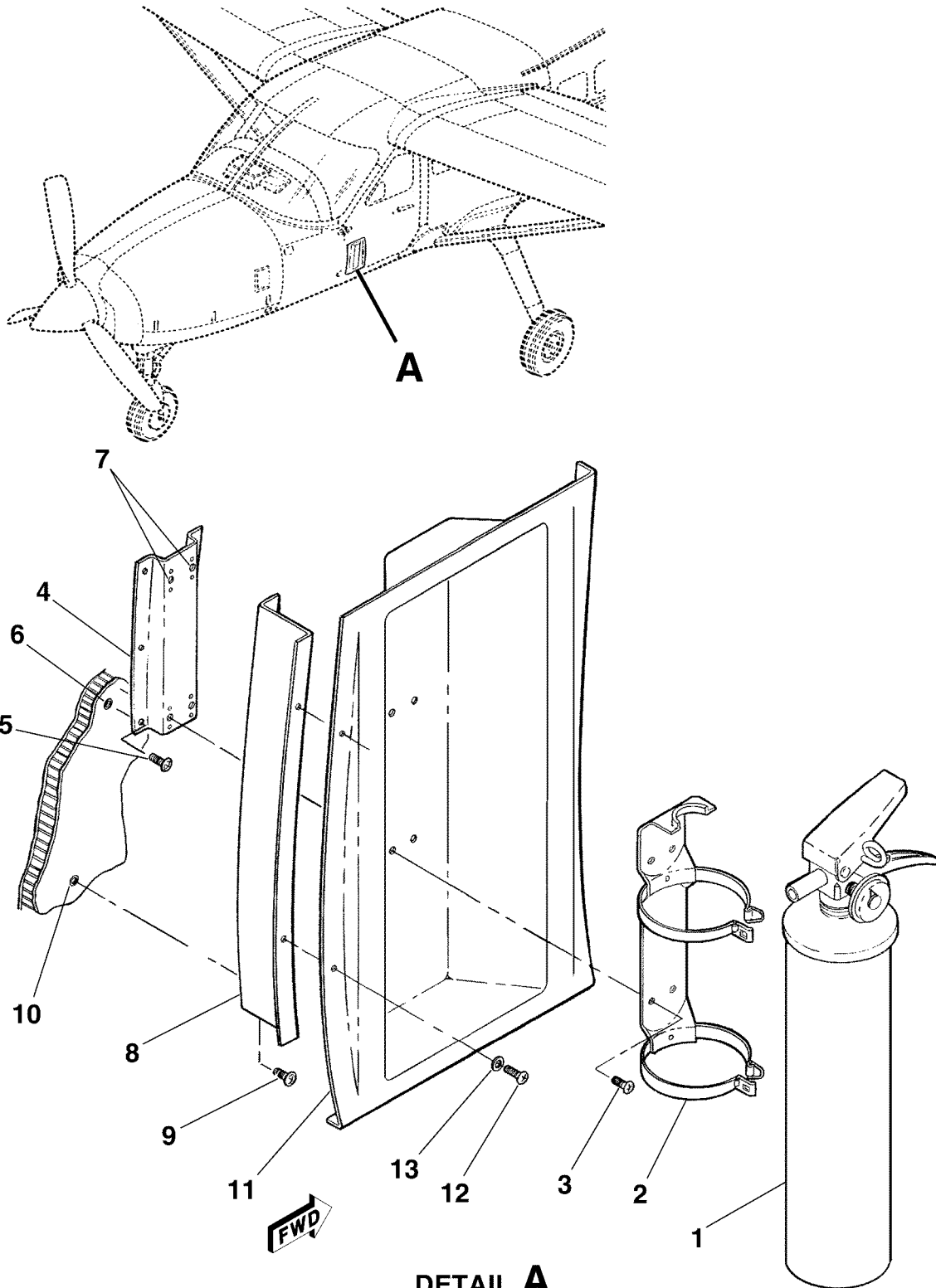
CESSNA®
MODEL 208
 ILLUSTRATED PARTS CATALOG

FIG ITEM	PART NUMBER	NOMENCLATURE	UNITS PER ASSY			
			1	2	3	4
01		FIRE EXTINGUISHER INSTALLATION				RF R
-						
1	SY0941	. EXTINGUISHER-FIRE REFER TO NOTE 1 V03670	0001	0199	01	
			B0001	B0418		
2	32820	. BRACKET-FIRE EXTINGUISHER REFER TO NOTE 1 V03670	0001	0199	01	
			B0001	B0418		
		ATTACHING PARTS				
3	AN3-23A	. BOLT	0001	0199	04	
			B0001	B0418		
4	S1450-3-12-032	. WASHER	0001	0199	04	
			B0001	B0418		
5	MS21044N3	. NUT	0001	0199	04	
			B0001	B0418		
		—*—				
- 6	369	. EXTINGUISHER AND BRACKET ASSY-FIRE REFER TO NOTE 1 V0NVH1	B0419	& ON	01	
		ATTACHING PARTS				
- 7	AN4-24A	. BOLT	B0419	& ON	04	
- 8	S1450-4-12-032	. WASHER	B0419	& ON	08	
- 9	MS21044N4	. NUT	B0419	& ON	04	
- 10	NAS43DD4-128N	. SPACER	B0419	& ON	04	
- 10A	NAS43DD4-128FC	. SPACER ALT FOR NAS43DD4-128N	B0419	& ON	04	
		—*—				

NOTE 1—THIS PART IS SUPPLIED BY FEDERAL EXPRESS

CESSNA®
MODEL 208
ILLUSTRATED PARTS CATALOG

A25015



26141193
A26143024

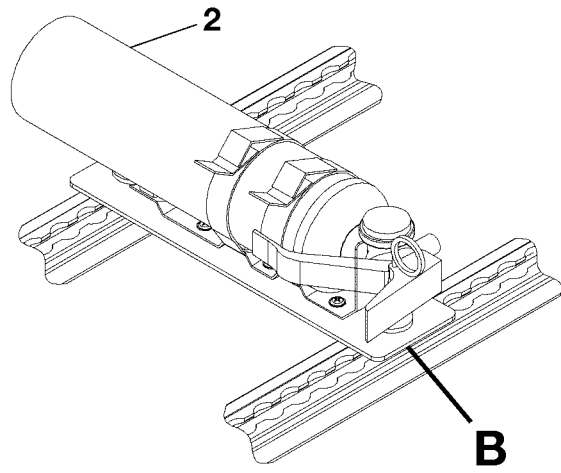
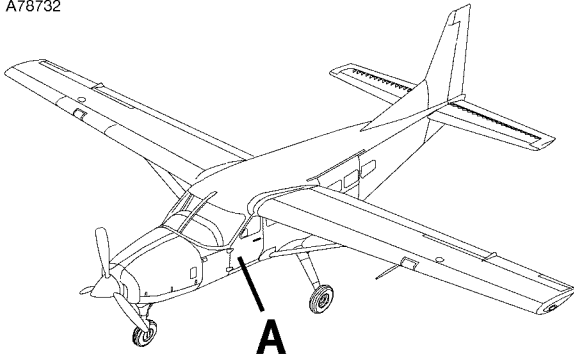
CESSNA®
MODEL 208
 ILLUSTRATED PARTS CATALOG

FIG ITEM	PART NUMBER	NOMENCLATURE	UNITS PER ASSY	
			1 2 3 4 5 6 7	
02				
-		FIRE EXTINGUISHER INSTALLATION		RF
1	C421001-0201	. EXTINGUISHER-FIRE FSO A352TS	0001 0240 B0001 B0417 0317 0334 B0804 B0887	NP
- 1A	A352CS	. EXTINGUISHER-FIRE FSO C352CS VKANS	0241 0316 B0418 B0803	01 R
- 1B	C352CS	. EXTINGUISHER-FIRE V54905	0241 0316 B0418 B0803	01 R
- 1C	A352TS	. EXTINGUISHER-FIRE FSO C352TS VKANS	0335 & ON B0888 & ON	01 R
- 1D	C352TS	. EXTINGUISHER-FIRE V54905	0335 & ON B0888 & ON	01 R
2	C421001-0202	. BRACKET-FIRE EXTINGUISHER	0001 0240 B0001 B0417 0317 0334 B0804 B0887	01
		ATTACHING PARTS		
3	AN525-10R7	. SCREW		04
4	2601018-1	. BRACKET ASSY-FIRE EXTINGUISHER	0001 0240 B0001 B0417 0317 0334 B0804 B0887	01
- 4A	2601018-3	. BRACKET ASSY-FIRE EXTINGUISHER	0241 0316 B0418 B0803 0335 & ON B0888 & ON	NP
		ATTACHING PARTS		
5	AN525-10R7	. SCREW		06
6	NAS1836-3-14	. INSERT		06
7	MS21027L08	. NUTPLATE		04
8	2601032-1	. BRACKET-FIRE EXTINGUISHER		01
		ATTACHING PARTS		
9	AN525-10R7	. SCREW		03
10	NAS1836-3-14	. INSERT		03
11	2601019-3	. ESCUTCHEON-FIRE EXTINGUISHER FSO 2601019-4	0001 0240 B0001 B0417	NP
- 11A	2601019-4	. ESCUTCHEON-FIRE EXTINGUISHER	0241 & ON B0418 & ON	01
		ATTACHING PARTS		
12	S1023A6-8	. SCREW		05
13	S2255-1	. WASHER		05

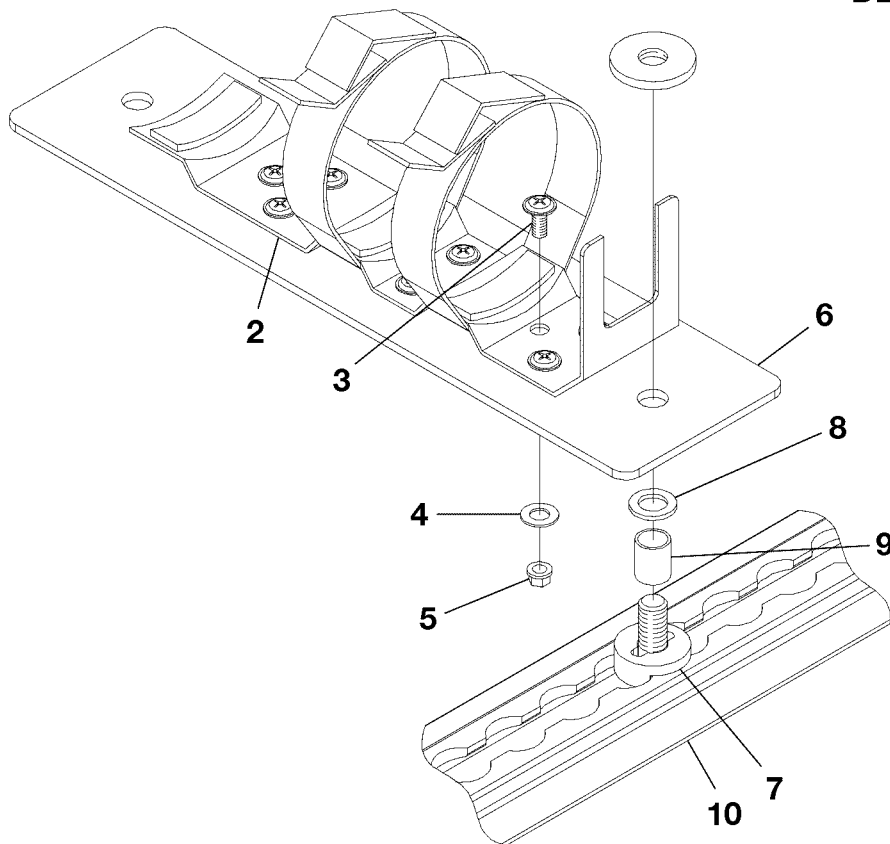
- ITEM NOT ILLUSTRATED

CESSNA®
MODEL 208
ILLUSTRATED PARTS CATALOG

A78732



DETAIL A



DETAIL B

FIRE EXTINGUISHER INSTALLATION
FIGURE 03 (SHEET 1)

2610T7002
A2614T1423
B2614T1423

CESSNA®
MODEL 208
 ILLUSTRATED PARTS CATALOG

FIG ITEM	PART NUMBER	NOMENCLATURE	1 2 3 4 5 6 7							UNITS PER ASSY	
03		FIRE EXTINGUISHER INSTALLATION REFER TO NOTE 1									
-									B2096 & ON		RF R
- 1	2614085-2	. FIRE EXTINGUISHER ASSY-CABIN, 2.5									01 R
2	C352TS	. FIRE EXTINGUISHER							V54905		01 R
		ATTACHING PARTS									
3	AN525-10R7	. SCREW									08 R
4	NAS1149F0332P	. WASHER									08 R
5	MS21042L3	. NUT									08 R
- 5A	NAS1291-3	. NUT ALT FOR MS21042L3									08 R
		—*—									
6	2614085-3	. MOUNTING PLATE-FIRE EXTINGUISHER									01 R
		ATTACHING PARTS									
7	40073-11	. FITTING ASSY							V31272		02 R
8	NAS1149F0663P	. WASHER									02 R
9	NAS43DD6-32N	. SPACER									02 R
		—*—									
10		. SEAT RAIL AND TRACK INSTALLATION REFER TO 53-40-00 FIGURE 02									RF R
		NOTE 1—USED ON EGYPTIAN CERTIFIED AIRPLANES									R